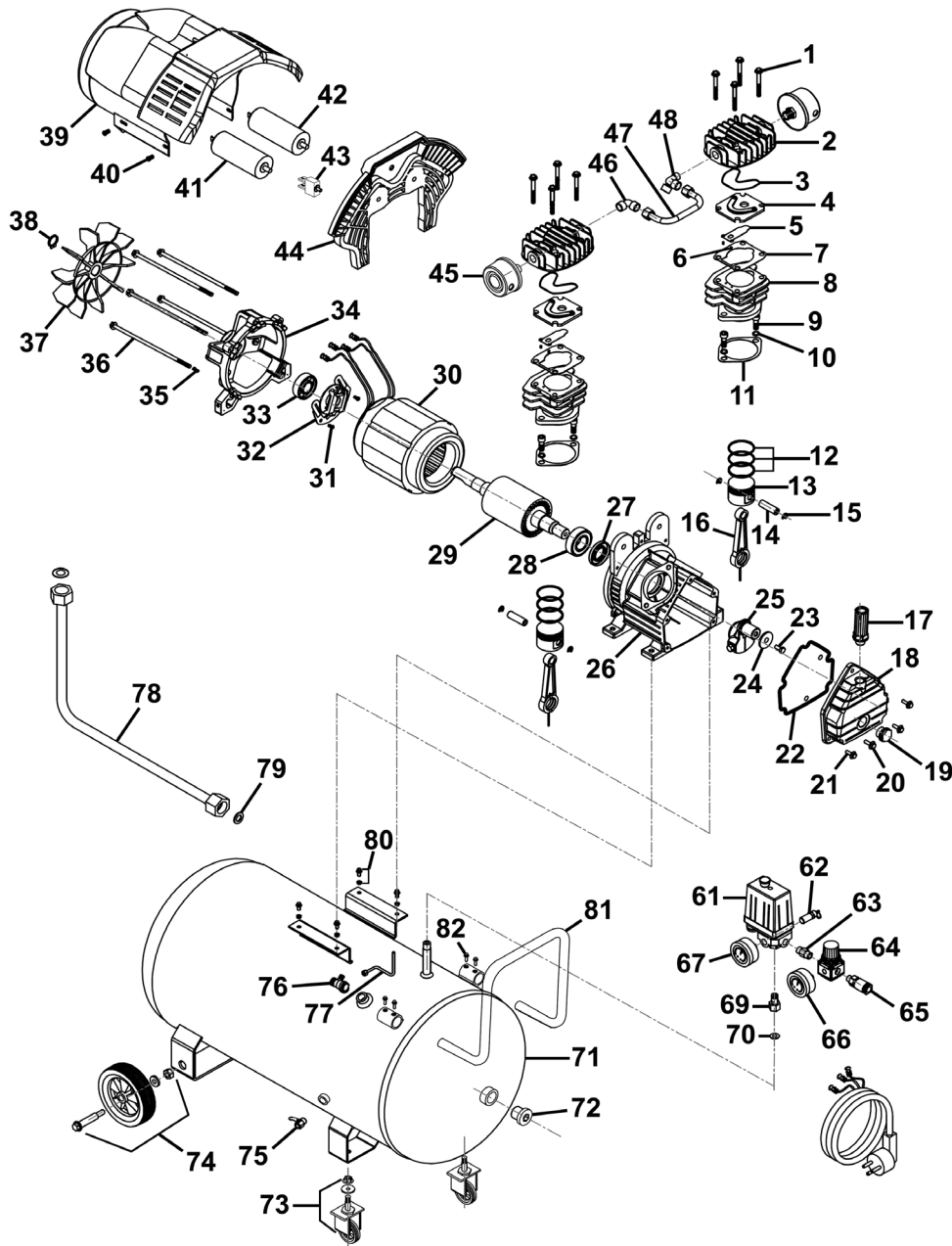
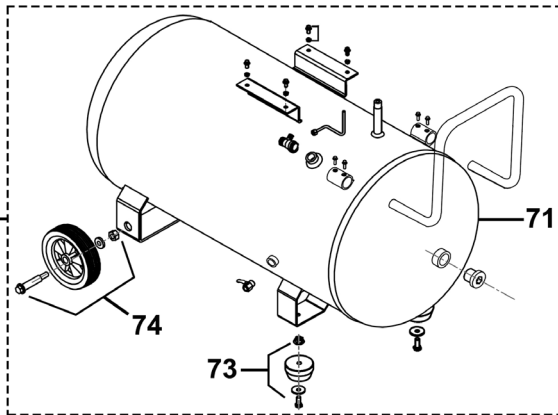


Parts Information:
Air Compressor V-Twin Direct Drive 3hp
Model No: SAC5030VE.V4 &
SAC10030VE.V3



SAC5030VE.V4



NOTE: It is our policy to continually improve products and as such we reserve the right to alter data, specifications and component parts without prior notice. There may be alternative versions of this product, please contact us should you require this information.

IMPORTANT: No liability is accepted for incorrect use of product. Spare parts must be fitted by a competent person

WARRANTY: Guarantee is 12 months from purchase date, proof of which will be required for any claim.



Parts Information:
Air Compressor V-Twin Direct Drive 3hp
Model No: SAC5030VE.V4 &
SAC10030VE.V3

Item	Part No.	Description	Qty
1	SAC10030VE-V3-01	Cylinder Head Bolt	8
2	SAC10030VE-V3-02	Cylinder Head	2
3	SAC10030VE-V3-03	Cylinder Head O-Ring	2
4	SAC10030VE-V3-04	Valve Plate (Upper)	2
5	SAC10030VE-V3-05	Valve Reed	2
6	SAC10030VE-V3-06	Locating Pin Ø3.1 x 6mm	4
7	SAC10030VE-V3-07	Valve Plate Gasket	2
8	SAC10030VE-V3-08	Cylinder	2
9	SAC10030VE-V3-09	Cylinder Bolt M8 x 22	4
10	SAC10030VE-V3-10	Wavey Washer M8	4
11	SAC10030VE-V3-11	Cylinder Gasket	2
12	SAC10030VE-V3-12	Piston Ring Set Ø47	2
13	SAC10030VE-V3-13	Piston Ø47	2
14	SAC10030VE-V3-14	Piston Pin	2
15	SAC10030VE-V3-15	Piston Pin Circlip	2
16	SAC10030VE-V3-16	Con-Rod	2
17	SAC10030VE-V3-17	Oil Breather	1
18	SAC10030VE-V3-18	Crankcase Cover	1
19	SAC10030VE-V3-19	Oil Sight Glass	1
20	SAC10030VE-V3-20	Oil Drain Bolt	5
21	SFS616.S	Hex Head Flange Bolt M6 X 16 Zinc	5
22	SAC10030VE-V3-22	Crankcase Cover Rubber Gasket	1
23	SAC10030VE-V3-23	Bolt M6 for Crankshaft	1
24	FWM6.S	Flat Washer M6 Zinc	1
25	SAC10030VE-V3-25	Crankshaft 36mm	1
26	SAC10030VE-V3-26	Crankcase	1
27	SAC10030VE-V3-27	Crankcase Seal	1
28	SAC10030VE-V3-28	Bearing	1
29	SAC10030VE-V3-29	Rotor 230V/50Hz 3.0hp	1
30	SAC10030VE-V3-30	Stator 230V/50Hz 3.0hp	1
31	SAC10030VE-V3-31	Fixing Bolt for Centrifugal Switch	1
32	SAC10030VE-V3-32	Centrifugal Switch	1
33	SAC10030VE-V3-33	Bearing	1
34	SAC10030VE-V3-34	Motor Bracket	1
35	SAC10030VE-V3-35	Earth Bolt	1
36	SAC10030VE-V3-36	Bolt M6 for Motor Bracket	5
37	SAC10030VE-V3-37	Motor Fan	1
38	SAC10030VE-V3-38	Motor Fan Ring	1
39	SAC10030VE-V3-39	Pump Cover (Plastic)	1
40	SAC10030VE-V3-40	Fixing Bolt for Pump Cover	4

Item	Part No.	Description	Qty
41	SAC10030VE-V3-41	Run Capacitor	1
42	SAC10030VE-V3-42	Start Capacitor	1
43	SAC10030VE-V3-43	Overload Switch	1
44	SAC10030VE-V3-44	Pump Cover Support	1
45	SAC10030VE-V3-45	Air Filter 3/8"	2
46	SAC10030VE-V3-46	Elbow	1
47	SAC10030VE-V3-47	Air Connection Pipe	1
48	SAC10030VE-V3-48	Elbow (3-Way)	1
61	SAC10001S-61	Pressure Switch 8bar	1
62	SAC5020E-V4-62	Safety Valve 1/4" 9bar	1
63	SAC10001S-63	Joint	1
64	SAC5020E-V4-64	Pressure Regulator	1
65	SAC5020E-V4-65	Quick Coupling	2
66	SAC10030VE-V3-66	Pressure Gauge d:40mm	1
67	SAC10030VE-V3-67	Pressure Gauge d:50mm	1
69	SAC1203B-V2-80	Connecting Stud	1
70	SAC1203B-V2-79	Sealing Gasket	1
72	SAC5020E-V4-72	Tank Plug 1/2" (w/ Sealing Ring)	2
75	SAC5020E-V4-75	Drain Valve	1
76	SAC10001S-74	Non-Return Valve	2
77	SAC5020E-V4-77	Unloading Pipe	1
78	SAC5020E-V4-78	Delivery Pipe	2
79	SAC5020E-V4-79	Seal Washer for Delivery Pipe	2
80	SAC5020E-V4-80	Fixing Bolt & Nut for Pump	4
81	SAC5020E-V4-81	Tank Handle (U-Shape)	1
82	SAC5020E-V4-82	Lock Bolt for Tank Handle	4
--	SAC10030VE-V3-PUMP	Complete Pump Assembly (Not Shown)	1
		For SAC10030V3 Only	
71	SAC10030VE-V3-71	Tank 100ltr	1
73	SAC10001S-72	Wheel, Rear Swivel Castor, Single Bolt Fixing, Black (c/w Brake & Fixings)(D: 48 W: 27 B: 6 H: 100)	2
74	SAC10030VE-V3-74	Wheel, Fixed Rubber 8" (200mm)	2
		For SAC5030.V4 Only	
71	SAC5030VE-V4-71	Tank 50ltr	1
73	SAC5020E-V4-73	Rubber Foot	2
74	SAC5030VE-V4-74	Wheel, Fixed Rubber 7" (170mm)	2

NOTE: It is our policy to continually improve products and as such we reserve the right to alter data, specifications and component parts without prior notice. There may be alternative versions of this product, please contact us should you require this information.

IMPORTANT: No liability is accepted for incorrect use of product. Spare parts must be fitted by a competent person

WARRANTY: Guarantee is 12 months from purchase date, proof of which will be required for any claim.

Jack Sealey Ltd t/a Sealey Group, Kempson Way, Suffolk Business Park, Bury St Edmunds, Suffolk, IP32 7AR UK

Jack Sealey (EU) Ltd t/a Sealey Group, Farney Street, Carrickmacross, Co. Monaghan, A81 PK68 Ireland

Tel: 01284 757500 · Email: sales@sealey.co.uk · Web: www.sealey.co.uk