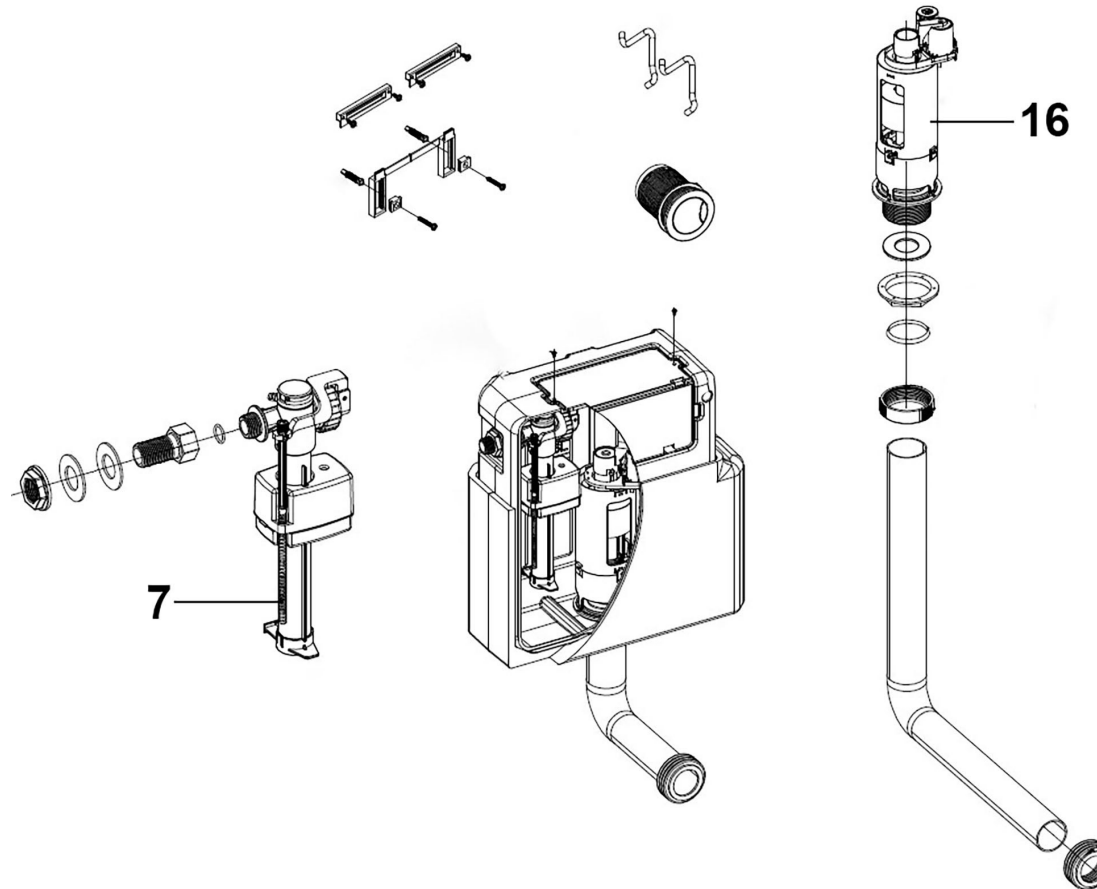




Parts Information:  
**Baridi Slimline Concealed Cistern, Front & Top Flush Button, WRAS  
Approved  
Model No: DH405**



Item	Part No.	Description
7	DH11402	Inlet Valve

Item	Part No.	Description
16	DH11403	Flush Valve

**NOTE:** It is our policy to continually improve products and as such we reserve the right to alter data, specifications and component parts without prior notice.

There may be alternative versions of this product, please contact us should you require this information.

**IMPORTANT:** No liability is accepted for incorrect use of product. Spare parts must be fitted by a competent person

**WARRANTY:** Guarantee is 12 months from purchase date, proof of which will be required for any claim.

**Jack Sealey Ltd t/a Baridi**, Kempson Way, Suffolk Business Park, Bury St Edmunds, Suffolk, IP32 7AR UK

**Jack Sealey (EU) Ltd t/a Baridi**, Farney Street, Carrickmacross, Co. Monaghan, A81 PK68 Ireland

**Tel:** 01284 757575 • **Email:** sales@baridi.co.uk • **Web:** www.baridi.co.uk