

# baridi

---

**Slimline Concealed Cistern, Front & Top Flush Button, Wall Hung & Floor Mounted Toilet Compatible, WRAS Approved**



## **Model No: DH405**

Thank you for purchasing a Dellonda product. Manufactured to a high standard, this product will, if used according to these instructions, and properly maintained, give you years of trouble free performance.

## Important Information

Please read these instructions carefully. Note the safe operational requirements, warnings & cautions. Use the product correctly and with care for the purpose for which it is intended. Failure to do so may cause damage and/or personal injury and will invalidate the warranty. Keep these instructions safe for future use.



Refer to  
instruction  
manual

## SPECIFICATION

MODEL NO:	DH405
Cistern Type:	Concealed Cabinet Cistern
Colour of Product:	White
Flush Capacity:	3/6 Litres
Flush Control Position:	Front and Top

Flush Control Type:	Push Button
Flush Type:	Dual
Mounting Type:	Wall Hung or Floor Mounted
Nett Weight:	1.88 kg
Product Depth (Front to Back):	145 mm
Product Dimensions (W x D x H):	360 x 145 x 370 mm (Cistern)
Product Height (Floor to Top):	370mm
Product Width (Side to Side):	360mm
Water Inlet Position:	Left
Water Inlet Type:	1/2" BSP

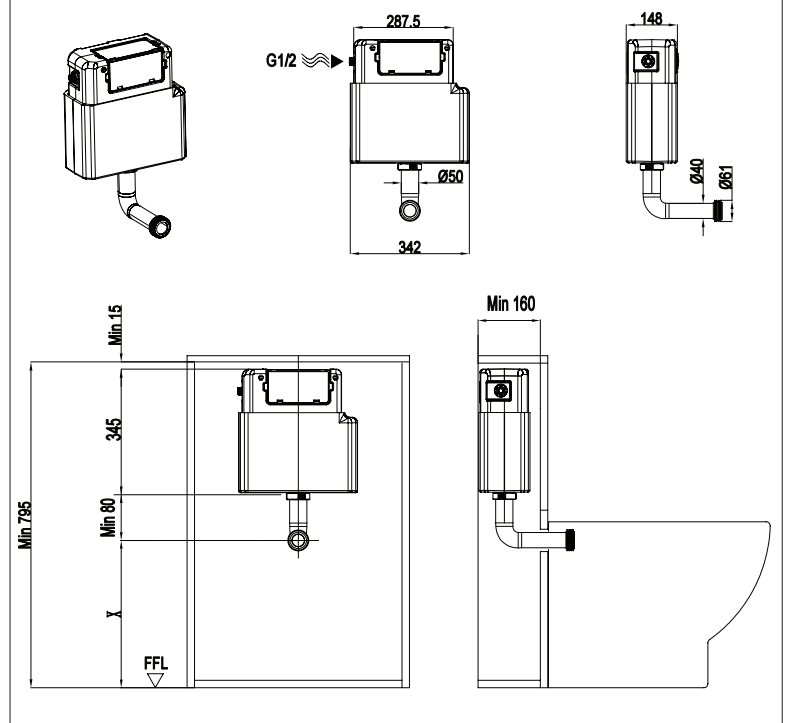
## CONTENTS

Flush bend nut		1
Seal		1
Flush bend		1
Wall plug		2
Cistern fixing screw		2
Pan seal cone		1
Cistern		1
Inlet valve		1
Cable flush valve		1
Wall bracket		1

## TOOLS REQUIRED (Not included)

Adjustable spanner	Screwdriver (flat-head & Cross-head)
Spirit level	Tape measure
Pipe cutter (if needed)	Drill and bits

## DH405 DIMENSIONS



## IMPORTANT SAFETY INFORMATION

- ✓ **Check for damage:** Inspect the product immediately for visible damage. **DO NOT** install a damaged product. Report any issues to the stockist.
- ✓ Ensure water supply is turned off before installation.
- ✓ **Lift with care:** The product may be heavy or awkward to carry. Use two people and proper lifting technique to avoid strain or injury.
- ✓ This product must be installed and maintained by a qualified plumber in accordance with local plumbing regulations and standards.
- ✗ **DO NOT** modify the toilet or cistern components. Unauthorised modifications may cause leaks, failure, or void the warranty.
- ✗ **DO NOT** over tighten fixing bolts or plastic connections, as this may cause breakage.

- ✓ Inspect all components before installation. **DO NOT** install if any part is cracked, damaged, or missing.
- ✓ Always use the supplied seals, washers, and fixings. Substituting components may lead to leaks.
- ✓ Confirm that the water supply pressure complies with the product specifications. Excessive pressure may damage internal fittings.
- ✓ Check for leaks before closing wall panels.

## GENERAL HANDLING

- ✓ Wear PPE: Use safety gloves and steel-toe footwear when handling the product or tools.
- ✓ Avoid impact.
- ✓ Keep packaging away from children: Plastic bags and packaging materials are suffocation hazards.

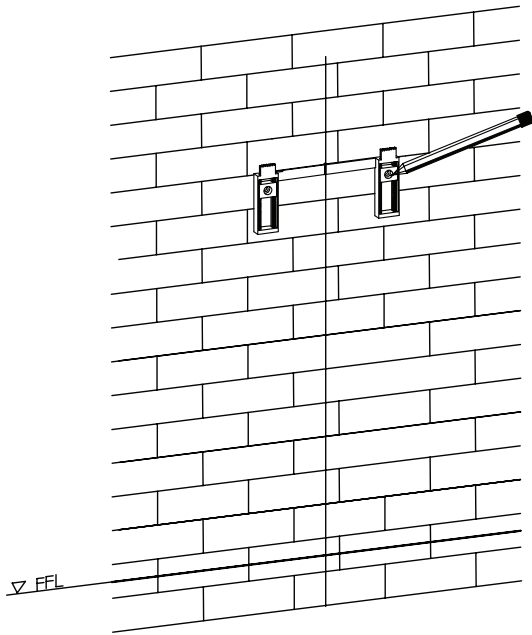
## INSTALLATION

Please read these installation instructions carefully and familiarise yourself with all components of the concealed cistern before beginning. Upon receipt, inspect the cistern and all supplied parts immediately and thoroughly for any signs of transit damage or manufacturing defects. Do not proceed with installation if any issues are identified; contact your supplier for assistance. The cistern is supplied with protective packaging, carefully remove all packaging and check the unit, including the EPS anti-condensation shell, flush valve, fill valve, pipework, and connections, for any damage. Ensure that all required components, fittings, and accessories are present before starting installation, including inlet fittings, flush pipe, seals, mounting hardware, and flush control components.

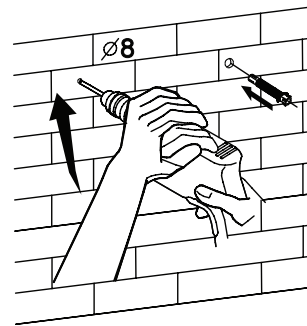
**IMPORTANT:** Isolate the water supply before commencing any installation work.

**IMPORTANT:** Where practicable and safe to do so, leak testing should be carried out progressively throughout the installation process.

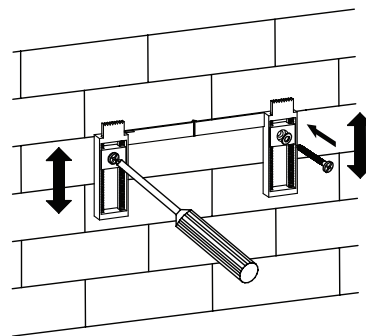
### Installation of the wall bracket



Mark the fixing points on the wall using the wall bracket and a spirit level



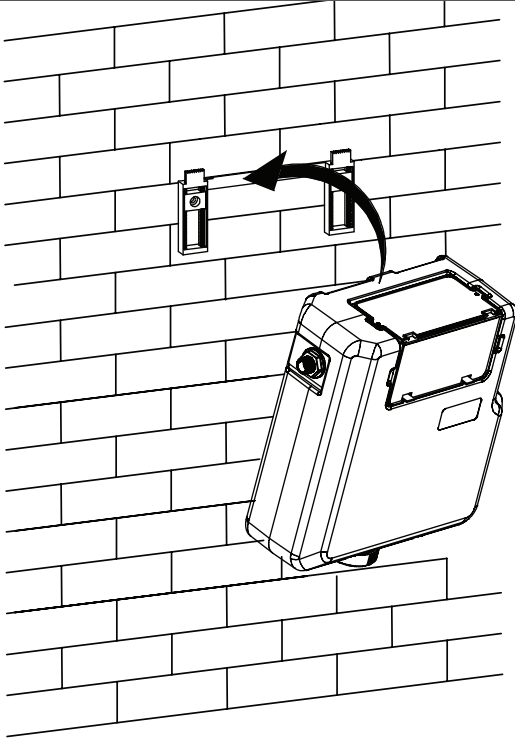
Drill holes and insert wall plugs



Adjust the height of the wall bracket and lock it tightly in place using the cistern fixing screws

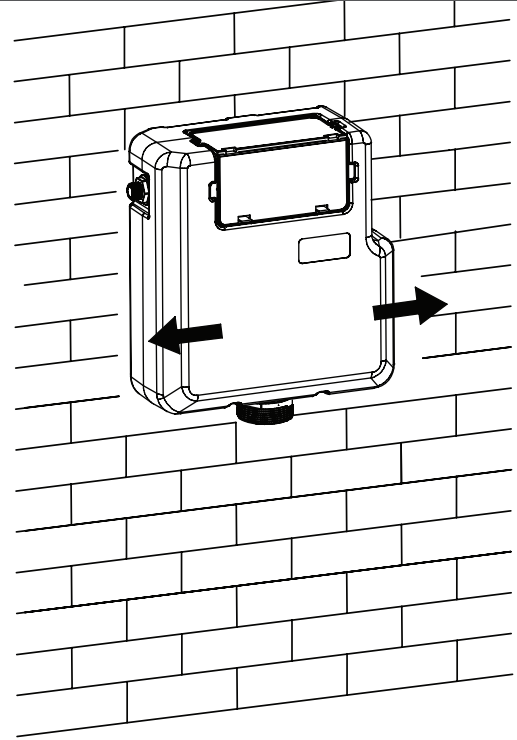
①

## Installation of the cistern



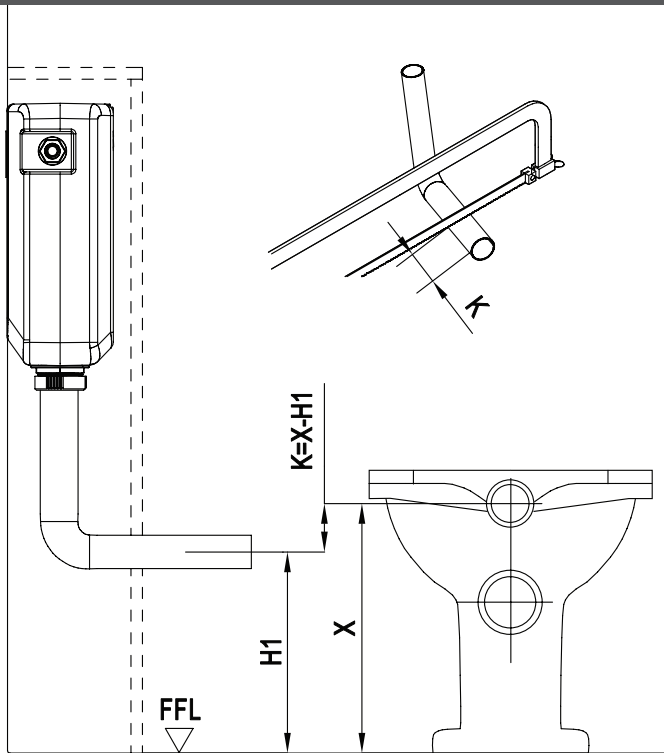
Slide the cistern onto the wall bracket and ensure that it is securely fixed in place

②



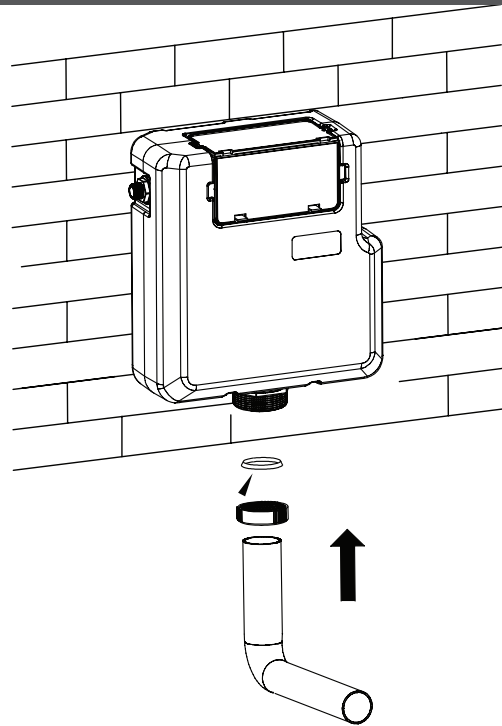
Slightly adjust the position of the cistern

## Installation of the flush bend



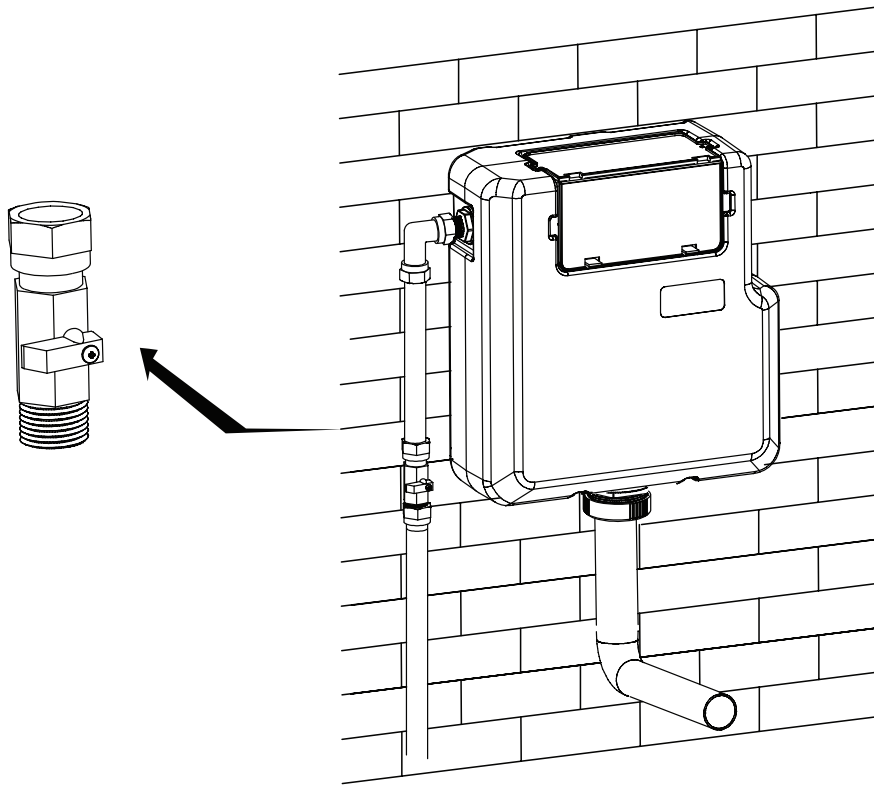
Cut the flush bend to the required size and attach it to the cistern using the appropriate fittings. Ensure the flush pipe is aligned squarely between the cistern and the pan, both vertically and horizontally, to allow the seal to function correctly

③



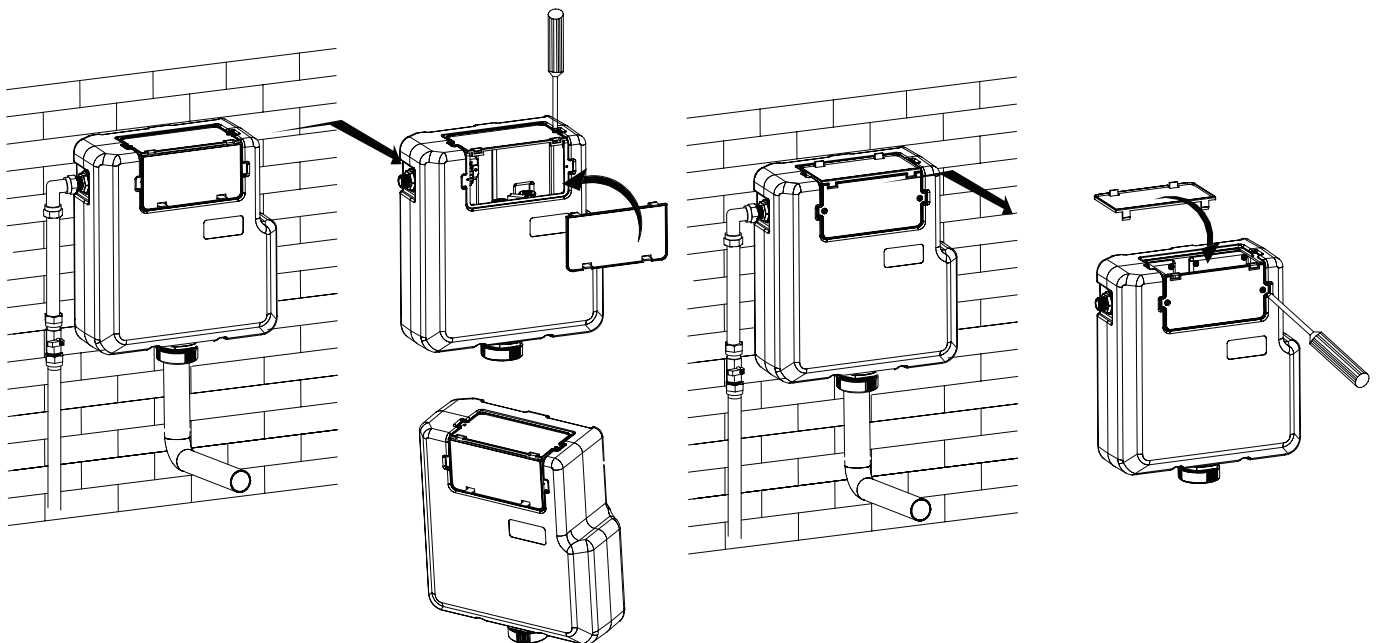
**NOTE:** The seal must be installed in a horizontal position to prevent water leakage

Installation of the water inlet connector



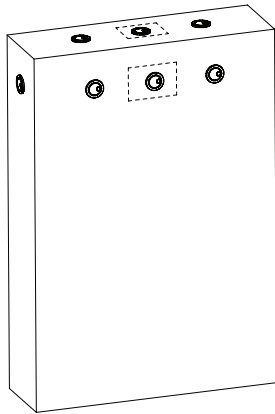
④

Installation of the front and top access panel



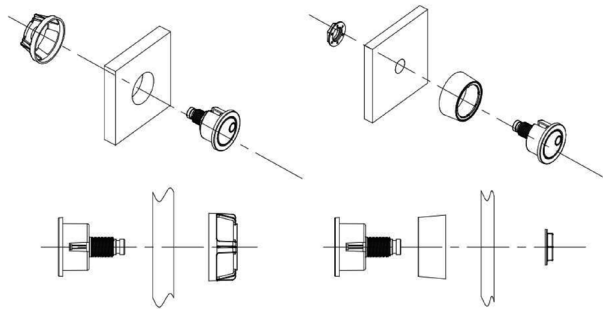
⑤

## Flush button installation



**NOTE:** The flush button must not be installed within the boxed areas due to furniture size limitations

### Two Installation Methods

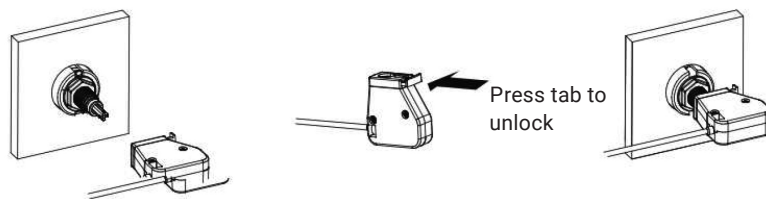
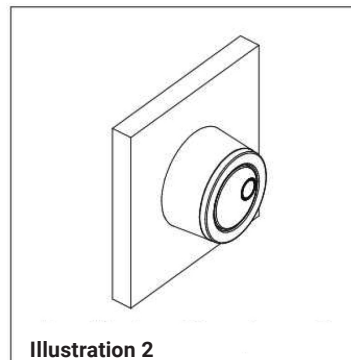
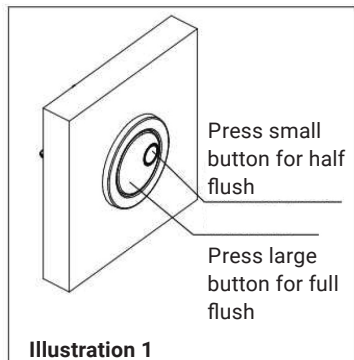


The maximum furniture thickness is 17 mm, and the required hole diameter is  $\varnothing 39$  mm

The maximum furniture thickness is 12 mm, and the required hole diameter is  $\varnothing 17$  mm

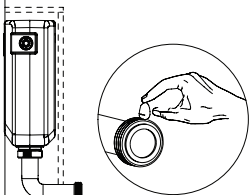
⑥

## Flush button installation part 2



⑦

## Installing the toilet

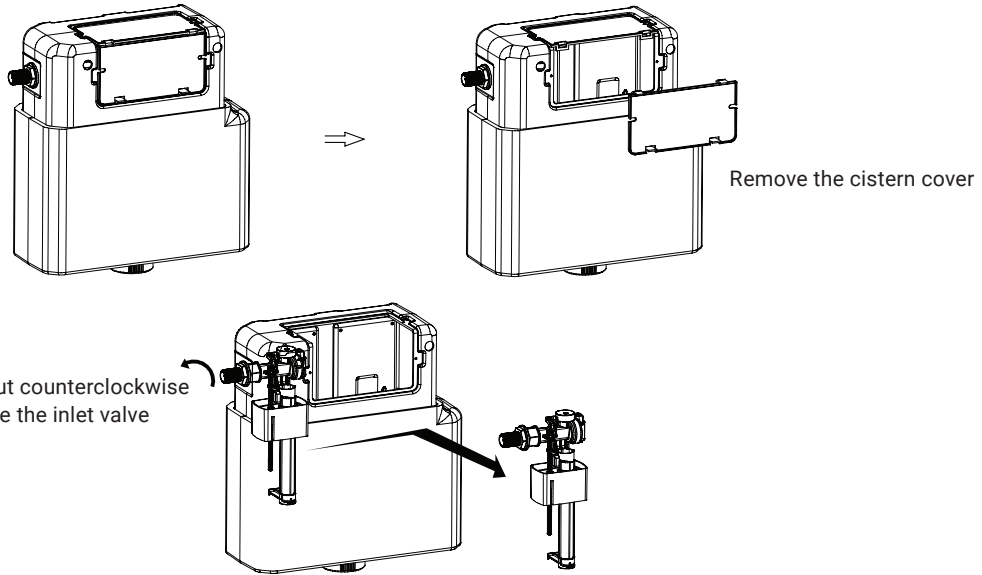


Lubricate the rubber seal before connecting to the toilet

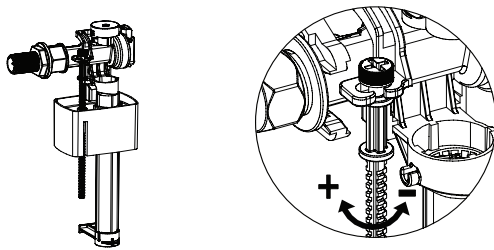
⑧

# MAINTENANCE

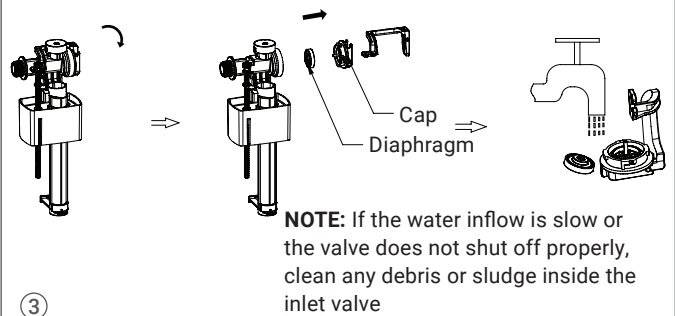
## Installation and removal of the inlet valve



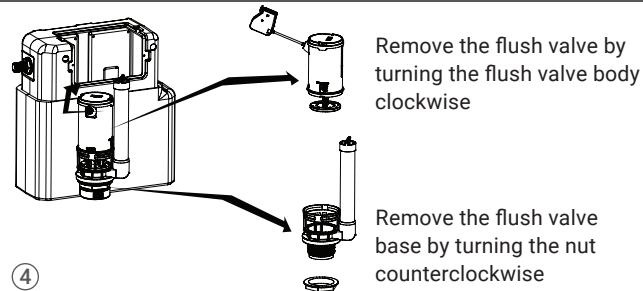
## Adjusting the inlet valve water level



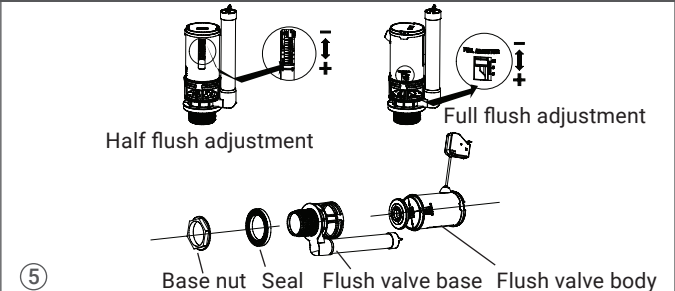
## Inlet valve maintenance



## Installation and removal of the flush valve



## Flush valve adjustment and maintenance



## Environment Protection and Waste Protection

Recycle unwanted packaging materials. When this product is no longer required, or has reached the end of its useful life, please dispose of it in an environmentally friendly way. Drain any fluids (if applicable) into approved containers, in accordance with local waste regulations. It is our policy to continually improve products and we reserve the right to alter data, specifications and parts without prior notice. No liability is accepted for incorrect use of this product. Guarantee is 12 months from purchase date, proof of which is required for any claim.