



HEAVY-DUTY STEEL ADJUSTABLE WORKBENCH WITH WOODEN WORKTOP 1828MM

MODEL NO: **AP0618.V6**

Thank you for purchasing a Sealey product. Manufactured to a high standard, this product will, if used according to these instructions, and properly maintained, give you years of trouble free performance.

IMPORTANT: PLEASE READ THESE INSTRUCTIONS CAREFULLY. NOTE THE SAFE OPERATIONAL REQUIREMENTS, WARNINGS & CAUTIONS. USE THE PRODUCT CORRECTLY AND WITH CARE FOR THE PURPOSE FOR WHICH IT IS INTENDED. FAILURE TO DO SO MAY CAUSE DAMAGE AND/OR PERSONAL INJURY AND WILL INVALIDATE THE WARRANTY. KEEP THESE INSTRUCTIONS SAFE FOR FUTURE USE.



Refer to instruction manual



Wear protective gloves



Wear goggles

1. SAFETY

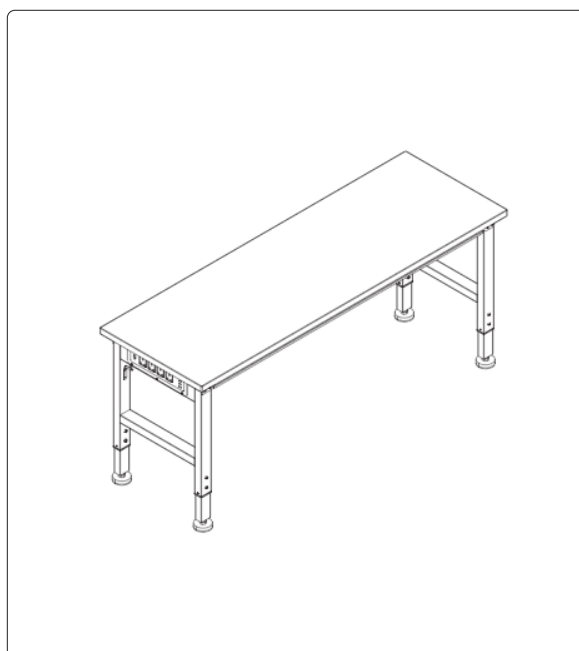
- WARNING!** Ensure Health & Safety, local authority, and general workshop practice regulations are adhered to when using this workbench.
- Wear protective gloves and goggles during assembly.
- Locate workbench in a suitable work area.
- Keep the work area clean, uncluttered and ensure there is adequate lighting.
- WARNING!** Use workbench on level and solid ground, preferably concrete.
- Keep the workbench clean and tidy in accordance with good workshop practice.
- Keep children and unauthorised persons away from the work area.
- DO NOT** use the workbench for any purpose other than that for which it is designed.
- DO NOT** use the workbench outdoors.
- DO NOT** place the workbench in a damp or wet location or an area where there is condensation.
- DO NOT** clean the workbench with any solvents which may damage the surfaces or the protective coating.
- DO NOT** move the workbench when there are items placed on it.
- DO NOT** overload the workbench.
- DO NOT** undertake work on the workbench without the workpiece being adequately secured. Use clamps or a vice (not included but available from your Sealey stockist), to secure the workpiece.
- WARNING!** The warnings, cautions and instructions discussed in this instruction manual cannot cover all possible conditions and situations that may occur. It must be understood that common sense and caution are factors which cannot be built into this product, but must be applied by the operator.

2. INTRODUCTION

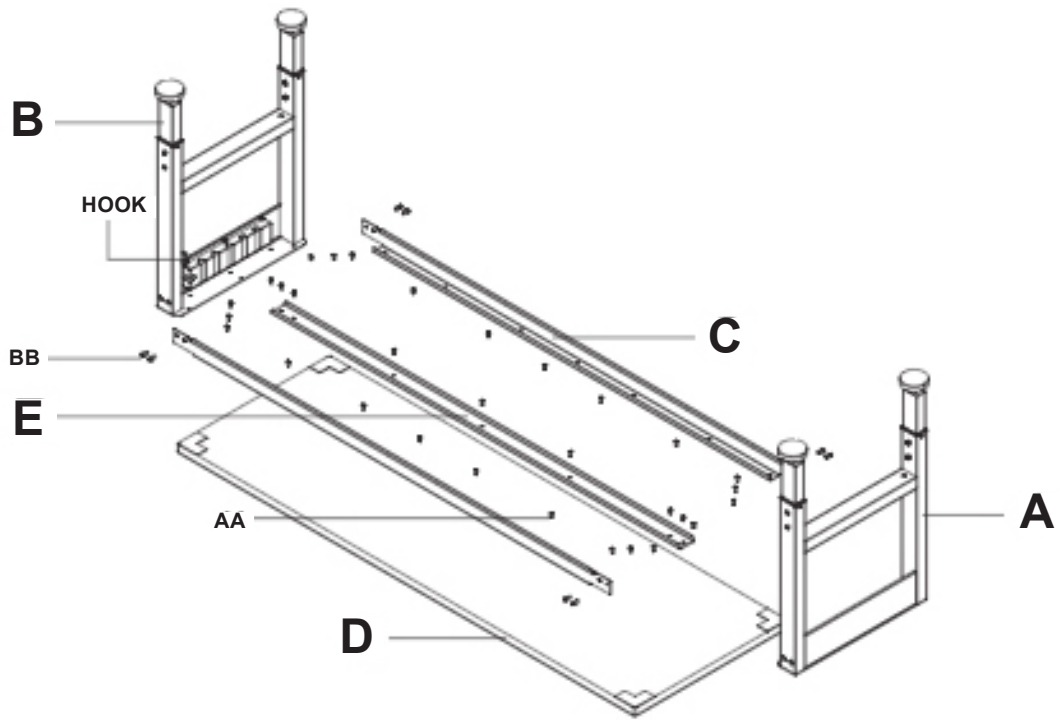
Manufactured from heavy gauge steel for long lasting strength. Power bar included, featuring 4 x 230V sockets, 3 x 5V (2.4A) USB ports and a 5V (3A) USB C ports. Adjustable height between 791-991mm. Adjustable feet to ensure level work surface. Fitted with 30mm wooden worktop.








3. SPECIFICATION

Model no:	AP0618.V6
Nett Weight:	45kg
Size (W x D x H):	1828 x 609 x (791-991) mm
Capacity:	900kg



4. CONTENTS



PART	PICTURE	DESCRIPTION	QUANTITY
A		Adjustable leg	1
B		Powered leg (with outlets)	1
C		Beam	2
D		Rubber wood top	1
E		Support rod	1
AA		M5 x 15 Cross head screw	31
BB		M8 x 20 Inner Hex head bolt	8

Tools required but not included:



PH2
Screwdriver



13mm
Spanner



19mm
Spanner

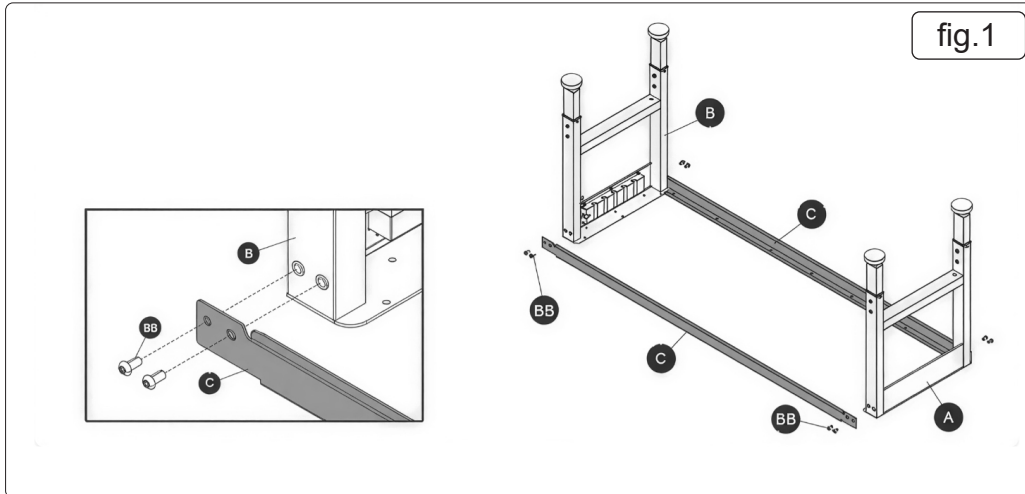


5mm
Hex key

5. ASSEMBLY

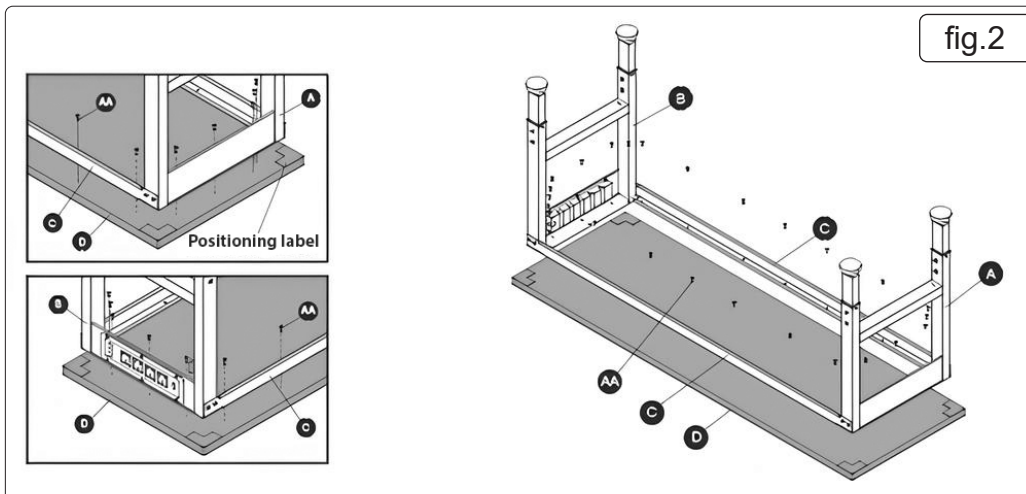
NOTE: DO NOT fully tighten the screws until the final step.

- 5.1. Attach leg (A) and leg (B) to beam (C) using 8 × M8 × 20 bolts (BB) (fig.1).



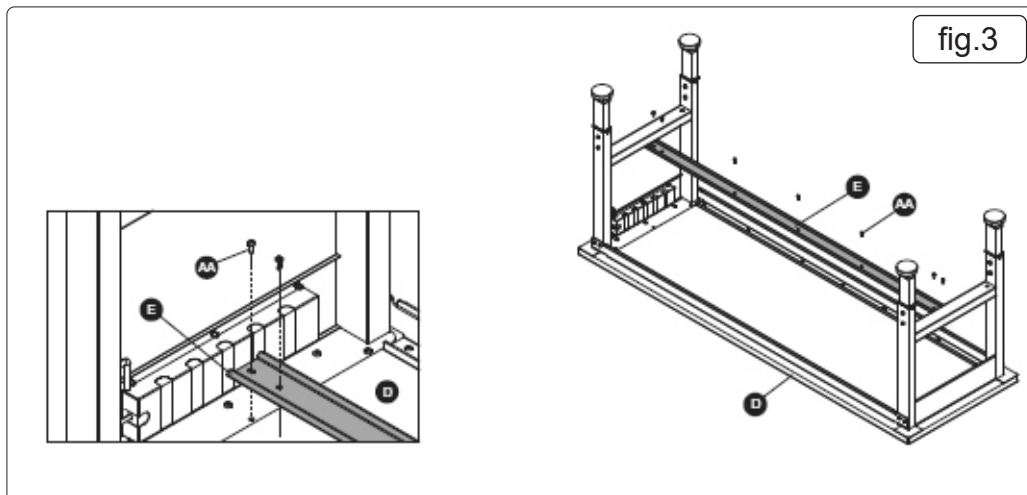
PART	A	B	C	B B
Description	Leg	Leg with power outlets	Beam	M8 x 20 Hex head bolt
Quantity	1	1	2	8

- 5.2. Position the worktop (D) on a flat, stable surface with the orientation label facing upward. Protect the surface using suitable packaging material (fig.2).
- 5.3. Align the locating label and secure legs (A & B) and beams (C) to the rubber table top using 15 × M5 cross recessed tapping screws (AA).



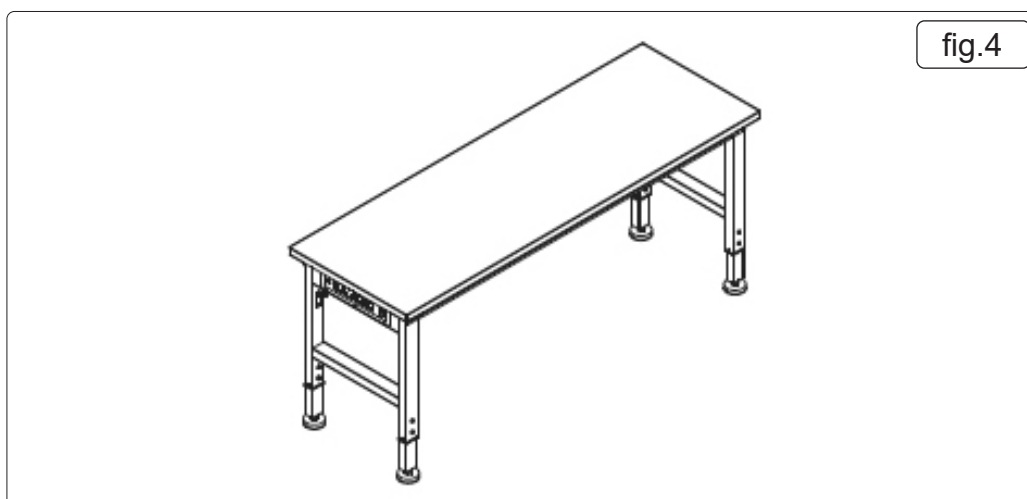
PART	A	B	C	D	AA
Description	Leg	Leg with power outlets	Beam	Rubber wood top	M5 X 15 Cross head screws
Quantity	1	1	2	1	24

5.4. Secure the support rod (E) to the underside frame of the rubber wood top (D) using M5 × 15 cross-head tapping screws (AA) (fig.3)



PART	D	E	AA
Description	Rubber wood top	Support rod	M5 X 15 Cross head screws
Quantity	1	1	7

5.5. Place the workbench upright, then adjust the feet to ensure it is level and stable (fig.4).



6. MAINTENANCE

NOTE: Perform regular maintenance to ensure safe and reliable operation.

- 6.1. Periodically inspect all fixings and ensure all screws and bolts are securely tightened.
- 6.2. Clean the workbench using a soft, damp cloth. Do not use abrasive cleaners or harsh chemicals.
- × **DO NOT** exceed the maximum load capacity of the workbench.
- 6.3. Keep the workbench dry and avoid prolonged exposure to moisture.
- 6.4. Avoid placing hot, sharp, or heavy impact objects directly on the work surface.
- 6.5. Check that the workbench remains level; adjust the feet if necessary.
- 6.6. If equipped with a power strip, ensure it is kept clean and free from dust. **DO NOT** overload electrical outlets.

7. END OF LIFE

At the end of its service life, dispose of the workbench in accordance with local regulations for recycling and waste disposal.



ENVIRONMENT PROTECTION

Recycle unwanted materials instead of disposing of them as waste. All tools, accessories and packaging should be sorted, taken to a recycling centre and disposed of in a manner which is compatible with the environment. When the product becomes completely unserviceable and requires disposal, drain any fluids (if applicable) into approved containers and dispose of the product and fluids according to local regulations.



REGISTER YOUR
PURCHASE HERE

Note: It is our policy to continually improve products and as such we reserve the right to alter data, specifications and component parts without prior notice. Please note that other versions of this product are available. If you require documentation for alternative versions, please email or call our technical team on technical@sealey.co.uk or 01284 757505.

Important: No Liability is accepted for incorrect use of this product.

Warranty: Guarantee is 12 months from purchase date, proof of which is required for any claim.

Jack Sealey Ltd t/a Sealey Group, Kempson Way, Suffolk Business Park, Bury St Edmunds, Suffolk, IP32 7AR UK
Jack Sealey (EU) Ltd t/a Sealey Group, Farney Street, Carrickmacross, Co. Monaghan, A81 PK68 Ireland
Tel: 01284 757500 • **Email:** sales@sealey.co.uk • **Web:** www.sealey.co.uk