



DIGITAL EXTERNAL MICROMETER 0-25MM (0-1")

MODEL NO: **AK9635D.V4**

Thank you for purchasing a Sealey product. Manufactured to a high standard, this product will, if used according to these instructions, and properly maintained, give you years of trouble free performance.

IMPORTANT: PLEASE READ THESE INSTRUCTIONS CAREFULLY. NOTE THE SAFE OPERATIONAL REQUIREMENTS, WARNINGS & CAUTIONS. USE THE PRODUCT CORRECTLY AND WITH CARE FOR THE PURPOSE FOR WHICH IT IS INTENDED. FAILURE TO DO SO MAY CAUSE DAMAGE AND/OR PERSONAL INJURY AND WILL INVALIDATE THE WARRANTY. KEEP THESE INSTRUCTIONS SAFE FOR FUTURE USE.



Refer to instructions



WARNING!
Contains batteries

BATTERY WARNING
KEEP OUT OF REACH OF CHILDREN
Swallowing can lead to chemical burns, perforating of soft tissue, and death. Severe burns can occur within 2 hours of ingestion. Seek medical attention immediately.



1. SAFETY

- ❑ **WARNING!** Ensure Health and Safety, local authority and general workshop practice regulations are adhered to when using tools and equipment.
- ✗ **DO NOT** use the micrometer if damaged.
- ✓ Maintain the micrometer in good and clean condition for best and safest performance.
- ✓ Keep the work area clean, uncluttered and ensure there is adequate lighting.
- ✓ Maintain correct balance and footing. Ensure the floor is not slippery and wear non-slip shoes.
- ✓ Remove ill fitting clothing. Remove ties, watches, rings and other loose jewellery. Contain or tie back long hair.
- ✗ **DO NOT** use the micrometer for any purpose other than for which it is designed.
- ✗ **DO NOT** get micrometer wet or use in damp or wet locations, or areas where there is condensation. Keep micrometer clean using a dry cotton cloth only.
- ✗ **DO NOT** dip or submerge the micrometer in any type of liquid.
- ✗ **DO NOT** expose micrometer to bright sunlight or dust.
- ✗ **DO NOT** dis-assemble micrometer. The device must be checked by qualified service personnel only.
- ✗ **DO NOT** apply any voltage to the micrometer i.e. with an electric marker pen.
- ✓ The micrometer is a precision instrument, treat with care, avoid using force and do not subject to knocks or shocks.
- ✓ Take particular care not to damage or scratch the scale surface.
- ✓ Use micrometer in reasonably constant temperature conditions of approximately 20°C.
- ✓ When not in use, store micrometer in a safe, dry, childproof location.
- ✓ Keep children and unauthorised persons away from the work area.

2. INTRODUCTION

DIN863-certified 0–25 mm micrometer delivers accurate measurements with a crystal-clear LCD display and effortless adjustment. Built with a durable baked-enamel frame, satin-chrome barrel and thimble, and carbide measuring faces, it's engineered for reliability in demanding environments. Enjoy instant inch-metric conversion, data output capability, and smooth operation with the ratchet stop and spindle lock. Supplied with two batteries, spanner, and a protective storage case.

3. SPECIFICATION

Model No:	AK9635D.V4
Measurement Range	0-25mm (0-1")
Resolution	0.001 (0.00004")

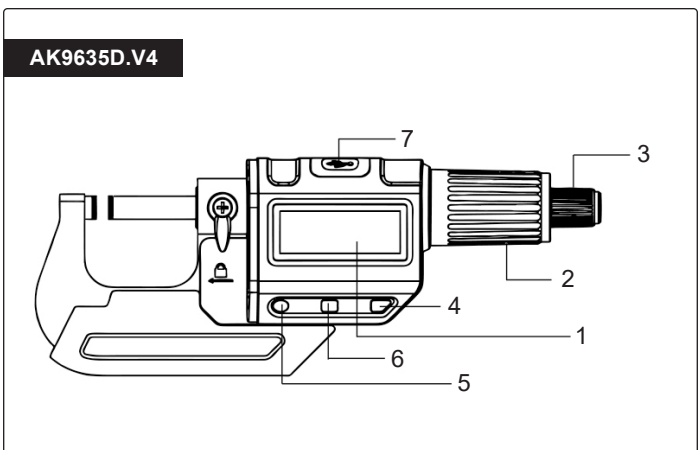
Accuracy	+/- 0.001mm to 0.002mm
Nett Weight:	0.4kg

4. FEATURES

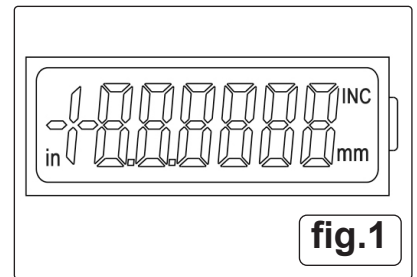
1	LCD display
2	Friction drive
3	Quick drive
4	ABS/INC Unit Key
5	ON/OFF...Set Key
6	Zero Key
7	Data Output

5. KEYS

- ON/OFF Set Key: Power Switch. Datum set.
- ABS/INC Unit key: Absolute & relative measuring. Metric/inch conversion.
- Zero key: Set current positions as "0"



- **LCD DISPLAY** (fig.1)
- "INC": Relative measuring mode.
- "in": Unit: inch.
- "mm": Unit: metric



6. OPERATION

- ❑ **WARNING!** Ensure that you have read and understood Section 1 safety instructions before commencing.
- 6.1. Ensure all measuring surfaces are clean.
- 6.2. Two types of key presses are used in the following illustrations:
 1. Press and release.
 2. Press and hold (2 seconds or more).
 - 1. ON/OFF / Set Key**
 - Press and release: Power ON/OFF.
 - Press and hold (2 seconds or more): Set datum for absolute measurement.
 - Datum positions: Metric: 0, 25, 50, 75 mm ... 275 mm; Inch: 0, 1", 2", 3" ... 11".
 - Sets datum automatically after battery replacement.
 - 2. ABS/INC / Unit Key**
 - Press and release: Switch between absolute and relative measuring modes.
 - "INC" appears on the LCD in relative mode.
 - No sign is displayed in absolute mode.
 - Press and hold (2 seconds or more): Switch between metric and inch units.
 - "in" appears on the LCD for inch; otherwise, mm is displayed.
 - 3. Zero Key**
 - Press and release: Set the current reading to "0" at any position.

7. BATTERY CARE

- 7.1. A CR2032 lithium battery is inserted into the back of the instrument with the positive (+) side facing outward. To remove the battery, use a coin or a flathead screwdriver in the slot on the battery cover and turn the cover to open. Replace the battery when the display appears dim or the LCD data is flashing.
If the micrometer is not used for approximately five minutes, it will automatically power off. To turn it on, press the "ON/OFF...Set" key. To save battery, power off the micrometer by pressing the "ON/OFF...Set" key again.
- 7.2. **SYMPTOMS THAT MAY ARISE DUE TO BATTERY INGESTION**

NO OBVIOUS SYMPTOMS
<p>Unfortunately, it is not obvious when a button or coin battery is stuck in a child's oesophagus (food pipe). There are no specific symptoms associated with this. The child might:</p> <ul style="list-style-type: none"> ✓ Cough, gag or drool at lot; ✓ Appear to have a stomach upset or a virus; ✓ Be sick; ✓ Point to their throat or stomach; ✓ Have a pain in their abdomen, chest or throat; ✓ Be tired or lethargic; ✓ Be quieter or more clingy than usual or otherwise "not themselves"; ✓ Lose their appetite or have a reduced appetite; and ✓ Not want to eat solid food / be unable to eat solid food. <p>These sorts of symptoms vary or fluctuate, with the pain increasing and then subsiding.</p> <p>A specific symptom to button and coin battery ingestion is vomiting fresh (bright red) blood. If the child does this seek immediate medical help.</p> <p>The lack of clear symptoms is why it is important to be vigilant with "flat" or spare button or coin batteries in the home and the products that contain them.</p>

8. MAINTENANCE

- 8.1. To ensure accurate and long-lasting performance, always keep the micrometer clean by wiping it with a soft, dry cloth; avoid using solvents or corrosive chemicals. Protect the measuring surfaces from hard or sharp objects, and apply a thin layer of machine oil to the spindle and anvil periodically to prevent rust. Replace the CR2032 lithium battery when the display dims or the LCD flashes, and remove the battery if the micrometer will be unused for an extended period. Store the micrometer in its protective case in a cool, dry environment, away from direct sunlight. Periodically check calibration using gauge blocks or standards, and avoid disassembling electronic components. Handle the instrument carefully, avoiding drops or excessive force, and use the friction drive to prevent over-tightening during measurements.



9. TROUBLESHOOTING


Problem	Possible Cause	Solution
Display is dim or flashing	Battery is low.	Replace the CR2032 battery.
Micrometer does not turn on	Battery incorrectly installed or depleted.	Check battery orientation and replace if needed.


Reading jumps or is unstable	Dirt or debris on spindle/anvil.	Clean measuring surfaces with a soft cloth.
Measurement seems inaccurate	Incorrect datum setting or over-tightening.	Reset datum; use friction drive correctly.
Cannot switch between metric/inch	Key press not long enough.	Press and hold the ABS/INC key for 2 seconds or more.
Power turns off unexpectedly	Auto-off function triggered.	Press "ON/OFF...Set" key to turn on; reduce idle time between uses if needed.
LCD shows "Err" or unusual symbols	Electronic malfunction.	Remove battery for 1 minute, reinsert; if problem persists, contact Sealey service center.

10. END OF LIFE

- 10.1. When the micrometer reaches the end of its service life, do not dispose of it in regular household waste. Batteries should be removed and disposed of according to local regulations for battery recycling. The electronic components and metal parts should be recycled or disposed of through authorized e-waste collection centers to minimize environmental impact.

	<p>WEEE REGULATIONS</p> <p>Dispose of this product at the end of its working life in compliance with the EU Directive on Waste Electrical and Electronic Equipment (WEEE). When the product is no longer required, it must be disposed of in an environmentally protective way. Contact your local solid waste authority for recycling information.</p>	 <p>REGISTER YOUR PURCHASE HERE</p>
---	--	--

	<p>BATTERY REMOVAL REFER TO SECTION 5.2</p> <p>Under the Waste Batteries and Accumulators Regulations 2009, Jack Sealey Ltd are required to inform potential purchasers of products containing batteries (as defined within these regulations), that they are registered with Valpak's registered compliance scheme. Jack Sealey Ltd Batteries Producer Registration Number (BPRN) is BPRN00705.</p>
---	---

	<p>ENVIRONMENT PROTECTION</p> <p>Recycle unwanted materials instead of disposing of them as waste. All tools, accessories and packaging should be sorted, taken to a recycling centre and disposed of in a manner which is compatible with the environment. When the product becomes completely unserviceable and requires disposal, drain any fluids (if applicable) into approved containers and dispose of the product and fluids according to local regulations.</p>
---	---

Note: It is our policy to continually improve products and as such we reserve the right to alter data, specifications and component parts without prior notice.

Important: No Liability is accepted for incorrect use of this product.

Warranty: Guarantee is 12 months from purchase date, proof of which is required for any claim.

Jack Sealey Ltd t/a Sealey Group, Kempson Way, Suffolk Business Park, Bury St Edmunds, Suffolk, IP32 7AR UK
Jack Sealey (EU) Ltd t/a Sealey Group, Farney Street, Carrickmacross, Co. Monaghan, A81 PK68 Ireland
Tel: 01284 757500 - **Email:** sales@sealey.co.uk - **Web:** www.sealey.co.uk